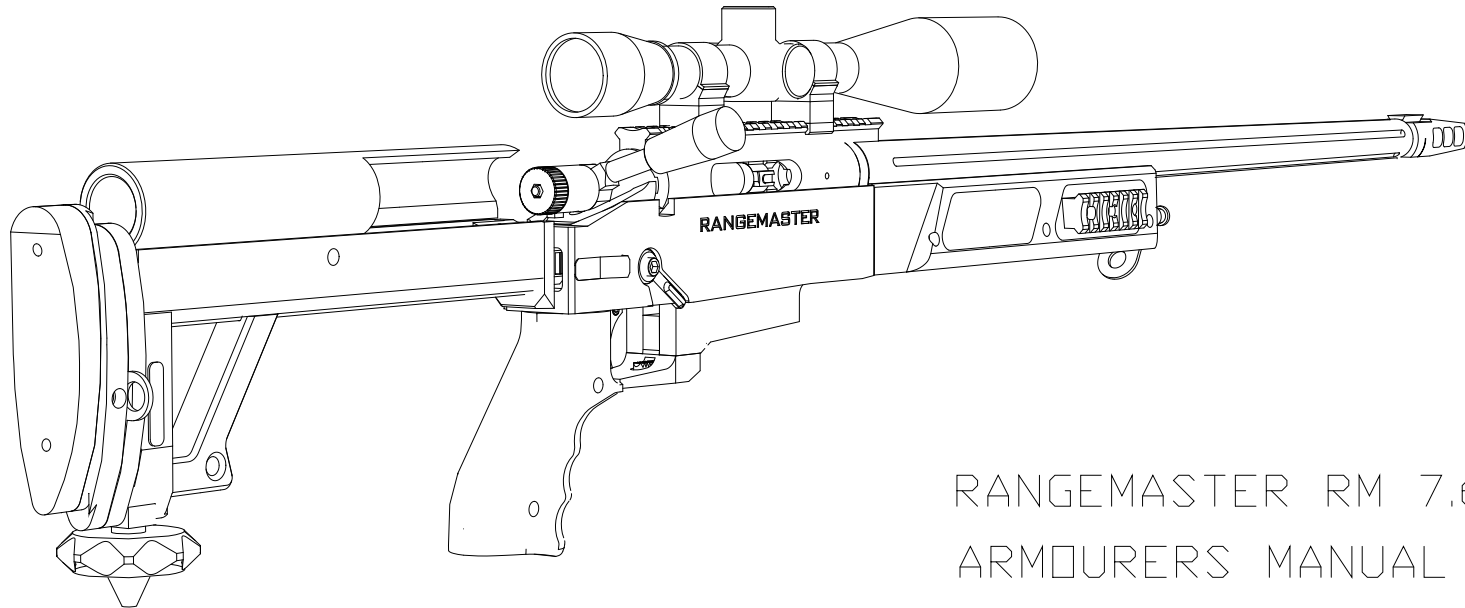
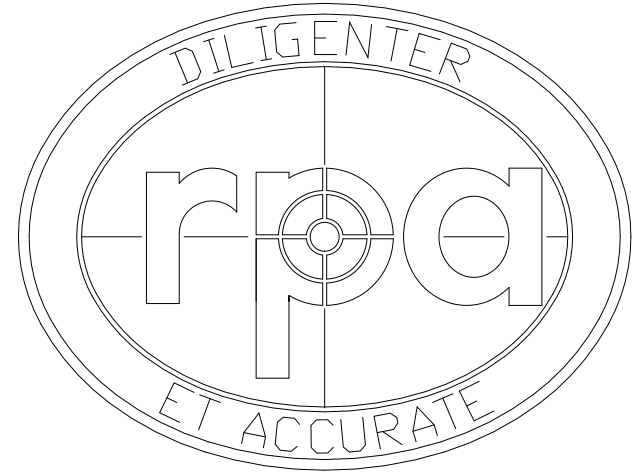
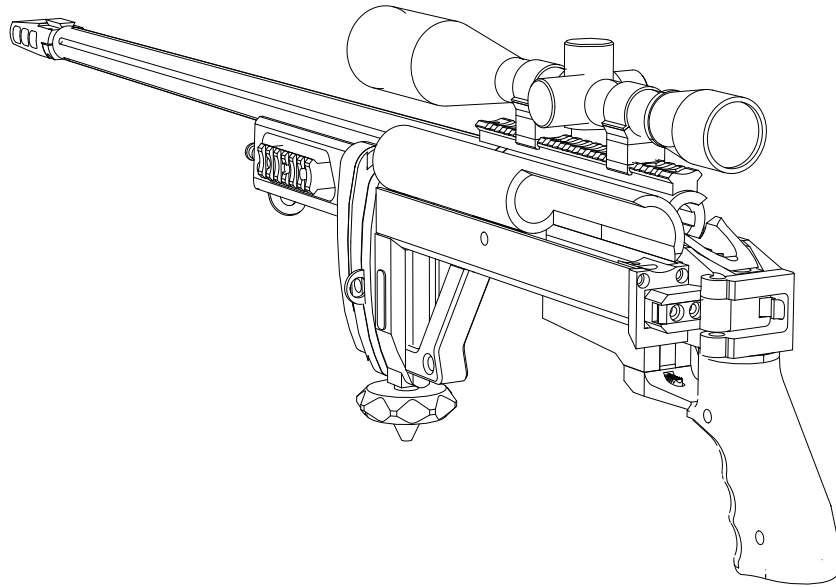


TITLE



RANGEMASTER RM 7.62 RIFLES
ARMOURERS MANUAL

SPARE PARTS



ORDERING PARTS

PLEASE CONTACT YOUR LOCAL RPA DEALER OR CALL RPA INTERNATIONAL
QUOTING THE SERIAL NUMBER OF YOUR FIREARM TO RECIEVE A PARTS
LIST AND IDENTIFY PARTS TO ORDER

SEND OR FAX INFORMATION TO YOUR LCAL RPA DEALER OR;

RPA INTERNATIONAL LTD
PO BOX 441
TONBRIDGE
KENT
ENGLAND
TN9 9DZ

TEL +44 845 880 3222
FAX +44 845 880 3232
EMAIL INFO@RPAINTERNATIONAL.CO.UK
WWW.RPAINTERNATIONAL.CO.UK

CLEANING

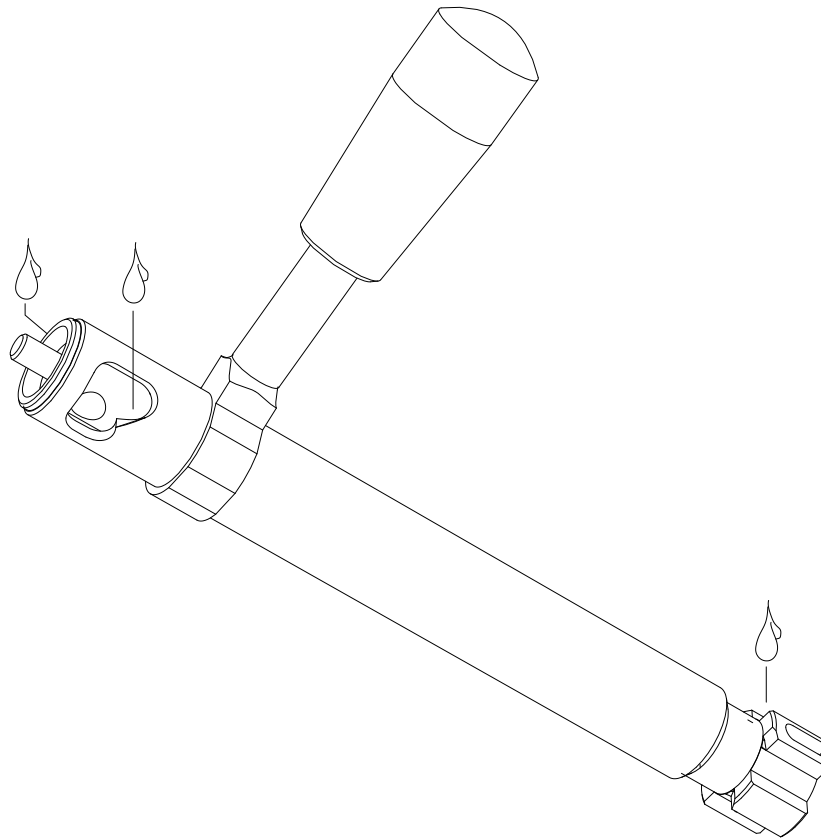


CLEAN ALL SURFACES OF OIL, POWDER, METAL RESIDUES, RUST AND DIRT ETC USING A SOLVENT BASED CLEANER THAT DOES NOT LEAVE A RESIDUE. ALLOW ALL SURFACES TO DRY.

APPLY ANY PROPRIETARY LUBRICANT TO EASE CLEANING TO ALL EXTERIOR SURFACES INCLUDING THE BORE USING BRUSHES, COTTON APPLICATORS, BY DIPPING OR SPRAYING. FOR A QUICK CLEAN, USE ALCOHOL PADS.

APPLY A SMALL SPOT OF MOLY GREASE TO HIGH LOAD/WEAR POINTS AS SHOWN ON THE BOLT.

USE AN OIL/SILICONE CLOTH TO WIPE THE EXTERIOR OF THE BOLT



CLEANING

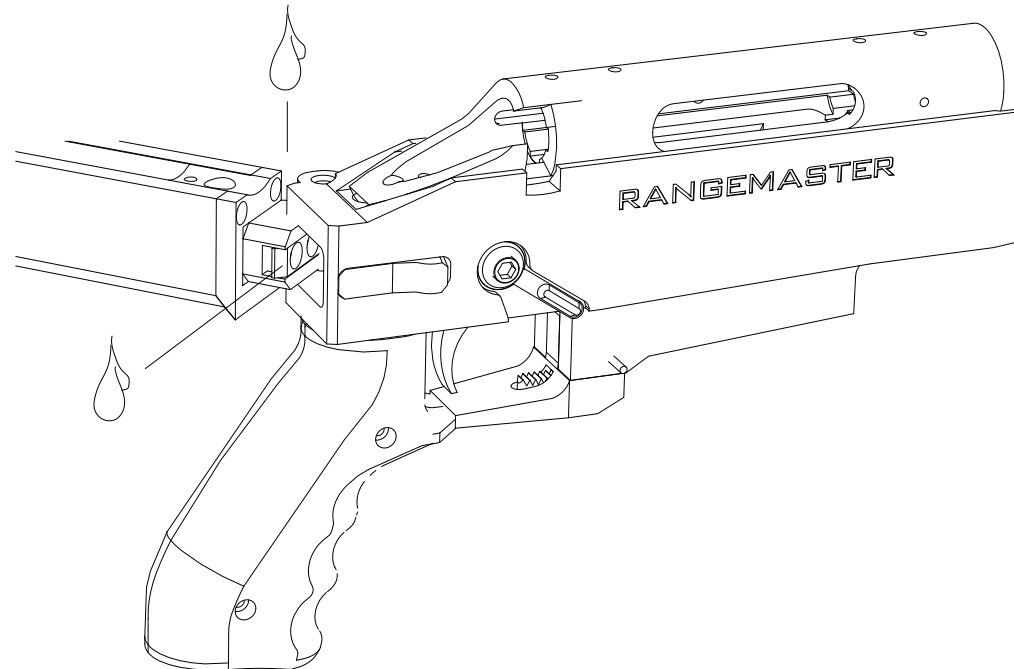


CLEAN ALL SURFACES USING A SOLVENT BASED CLEANER THAT DOES NOT LEAVE A RESEDUE. ALLOW ALL SURFACES TO DRY.

APPLY ANY PROPRIETARY LUBRICANT TO EASE CLEANING TO ALL EXTERIOR SURFACES INCLUDING THE BORES USING BRUSHES, COTTON APPLICATORS, BY DIPPING OR SPRAYING. FOR A QUICK CLEAN, USE ALCOHOL PADS.

APPLY A SMALL SPOT OF MOLY GREASE TO THE HINGE AND CATCH.

USE AN OIL/SILICONE CLOTH TO WIPE THE EXTERIOR OF THE RIFLE AND MAGAZINE. PAYING PARTICULAR ATTENTION TO ALL THE STEEL PARTS, POCKETS AND RACEWAYS



CLEANING

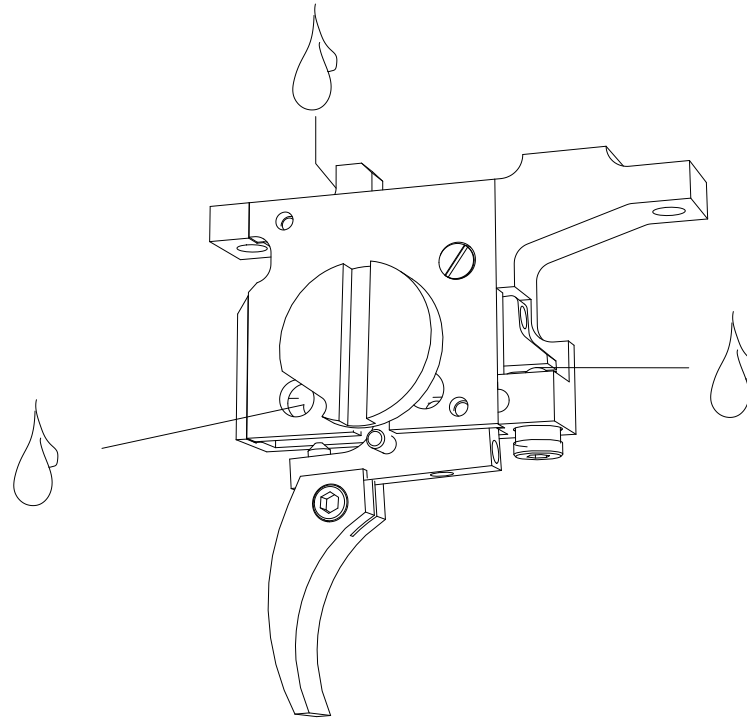


TO THOROUGHLY CLEAN THE TRIGGER, DIP AND RINSE USING A SOLVENT BASED CLEANER AND ALLOW TO DRY

APPLY ANY PROPRIETARY LUBRICANT TO EASE CLEANING TO ALL EXTERIOR SURFACES USING BRUSHES AND COTTON APPLICATORS. FOR A QUICK CLEAN, USE ALCOHOL PADS.

APPLY A SMALL SPOT OF MOLY GREASE, THROUGH TO SIDE PLATE HOLE, TO THE BENT AND SEAR, BETWEEN THE WEIGHT BALL AND FINGER LEVER AND THE BACK OF THE SEAR.

USE AN OIL/SILICONE CLOTH TO WIPE THE EXTERIOR OF THE TRIGGER



CLEANING



CLEANING THE BARREL

USE LINT FREE THIN MATERIAL AND ONLY STIFF BRONZE BRUSHES, SLIGHTLY LARGER THAN THE CALIBRE. NEVER USE ABRASIVE PASTE. A COMPREHENSIVE FIELD CLEANING KIT IS SUPPLIED AND INSTRUCTIONS ON ITS USE. CLEAN AS SOON AS POSSIBLE AFTER FIRING WHILST THE BARREL IS HOT.

1. THE FIREARM MUST BE POINTED IN A SAFE DIRECTION.
2. FOLD THE STOCK THROUGH 90° FOR A STABLE WORKING PLANE.
3. REMOVE MAGAZINE AND ANY AMMUNITION.
4. REMOVE BOLT (SEE 00-03).
5. OTIS PROCEDURE AS PER OTIS MANUAL.

IF YOU ARE NOT GOING TO SHOOT AGAIN FOR SOME TIME, REPEAT THE CLEANING PROCEDURE. CLEAN AGAIN AT NIGHT OR A DAY LATER AFTER PROLONGED USE AS THIS WILL HELP BARREL LIFE.

KEEP SOLVENTS SUCH AS HOPPES#9 AWAY FROM THE TRIGGER MECHANISM. DO NOT INHALE THE VAPOUR.

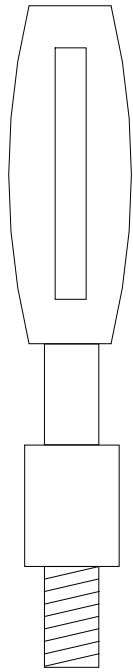
ALWAYS STORE THE RIFLE MUZZLE DOWN.

REMEMBER TO DRY THE BARREL AND CHECK FOR OBSTRUCTIONS BEFORE FIRING.

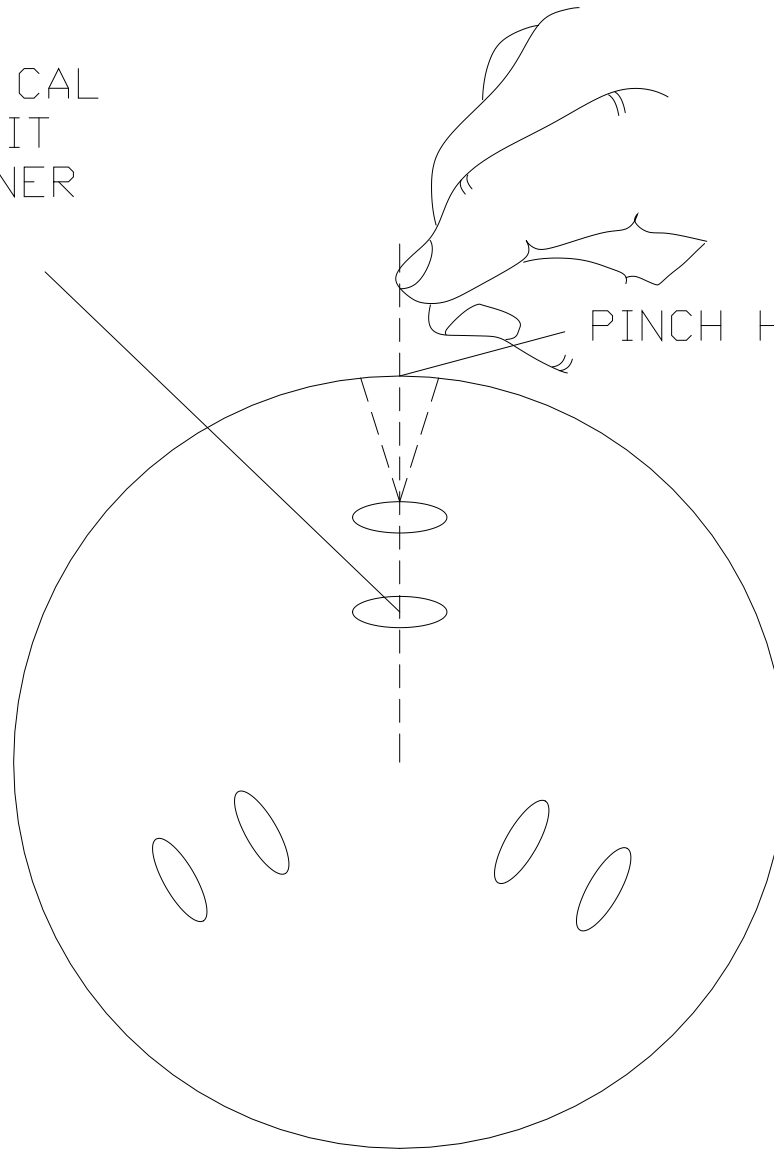
CLEANING



PINCHING A .3 CAL SWAB



USE THE .30 CAL
TIP, INSERT IT
INTO THE INNER
HOLE



PINCH HERE FOR .30 CAL SWAB