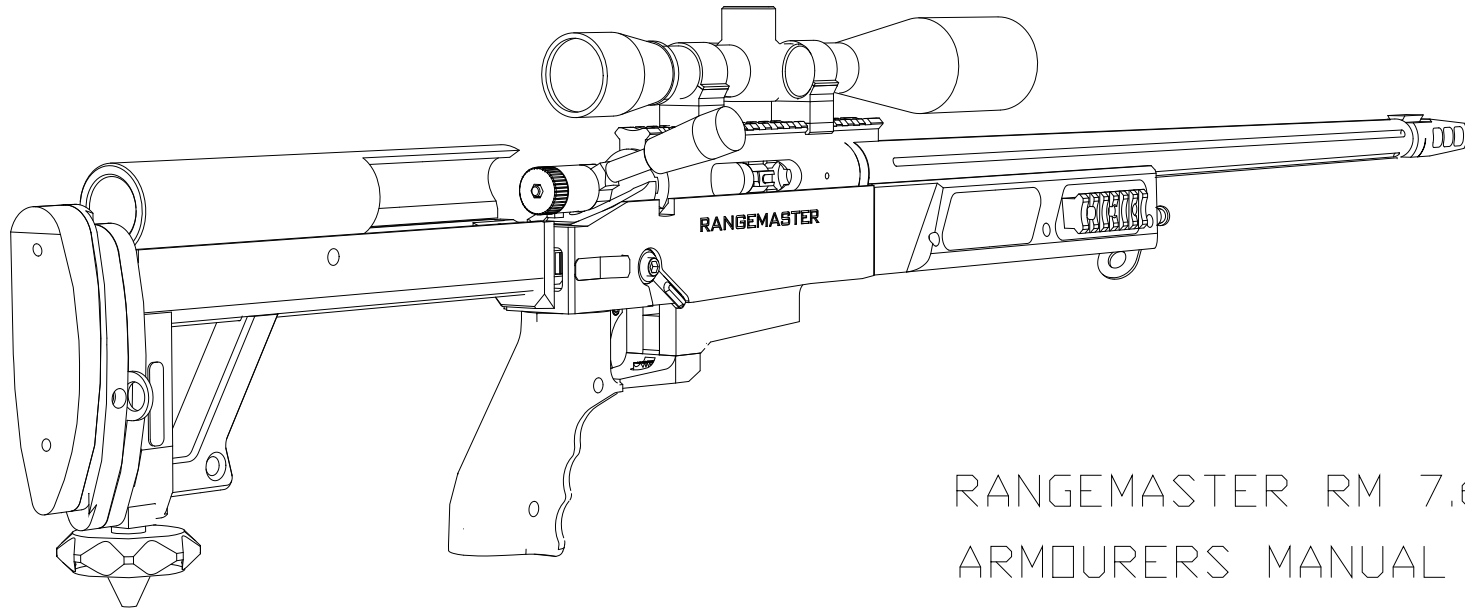
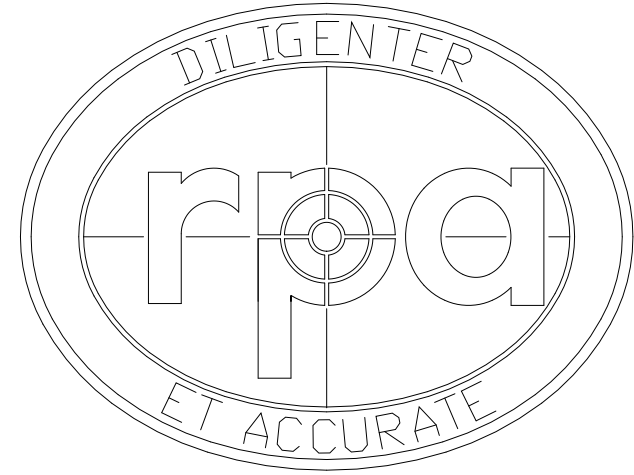
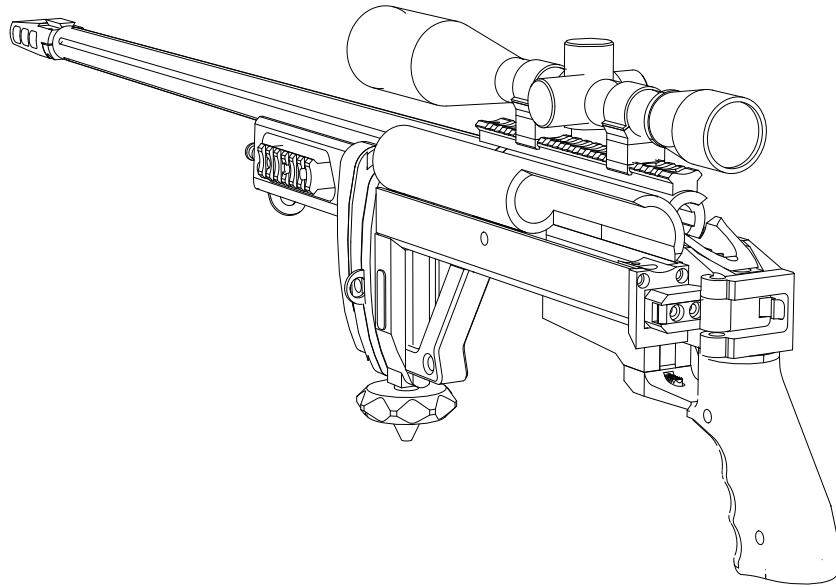


TITLE



RANGEMASTER RM 7.62 RIFLES  
ARMOURERS MANUAL

SPARE PARTS



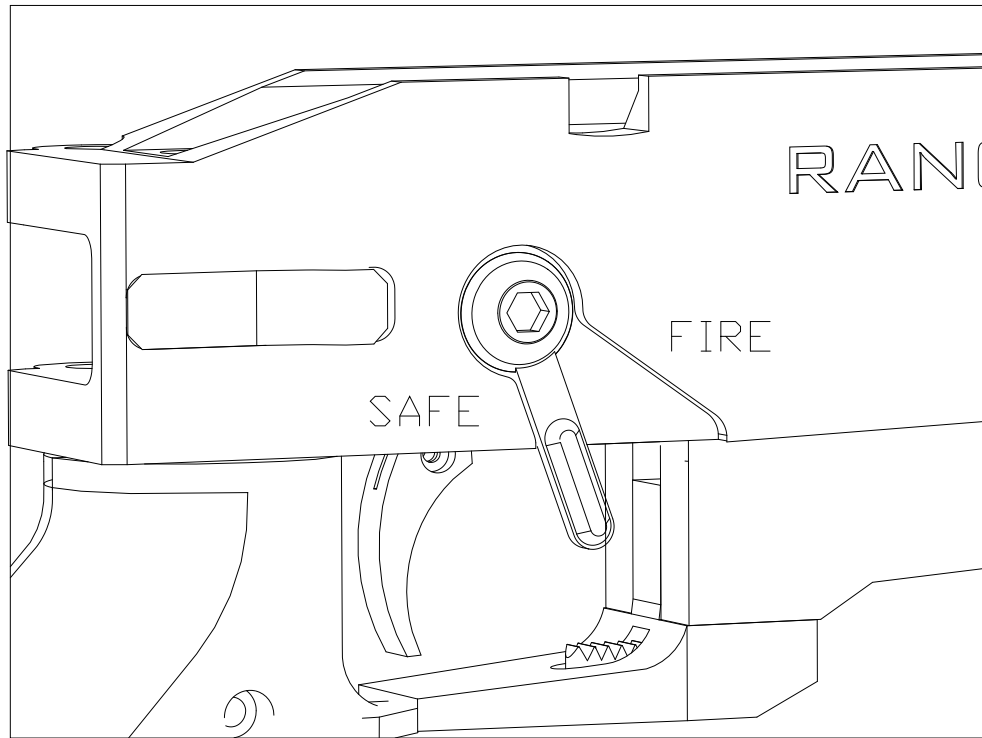
## ORDERING PARTS

PLEASE CONTACT YOUR LOCAL RPA DEALER OR CALL RPA INTERNATIONAL  
QUOTING THE SERIAL NUMBER OF YOUR FIREARM TO RECIEVE A PARTS  
LIST AND IDENTIFY PARTS TO ORDER

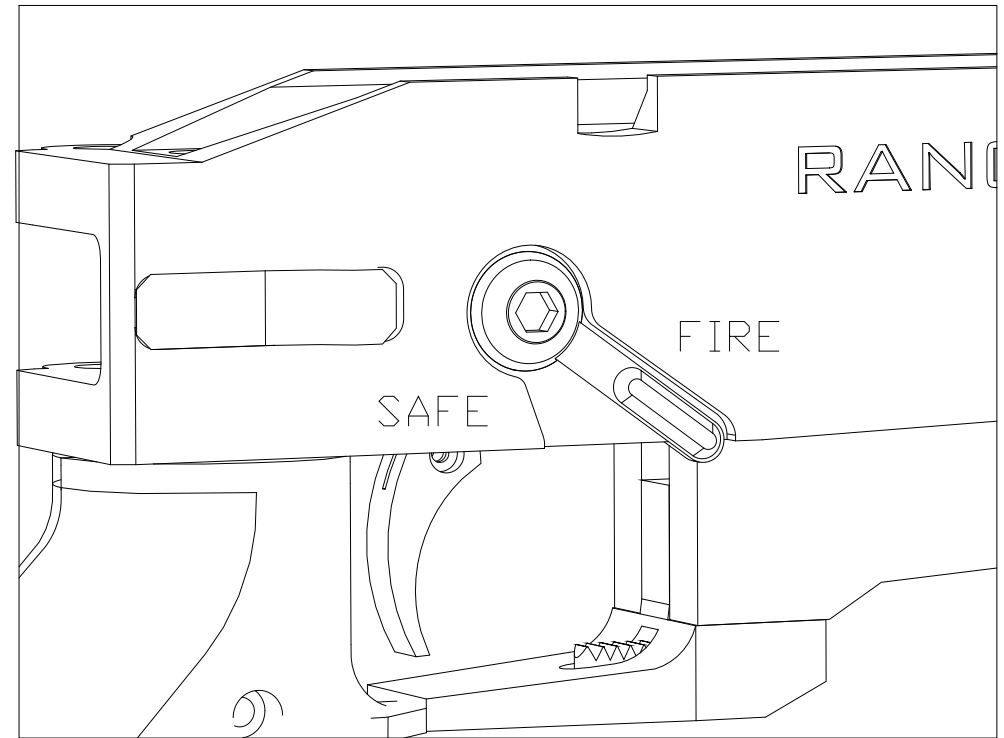
SEND OR FAX INFORMATION TO YOUR LCAL RPA DEALER OR;

RPA INTERNATIONAL LTD  
PO BOX 441  
TONBRIDGE  
KENT  
ENGLAND  
TN9 9DZ

TEL +44 845 880 3222  
FAX +44 845 880 3232  
EMAIL [INFO@RPAINTERNATIONAL.CO.UK](mailto:INFO@RPAINTERNATIONAL.CO.UK)  
[WWW.RPAINTERNATIONAL.CO.UK](http://WWW.RPAINTERNATIONAL.CO.UK)



SAFETY ON



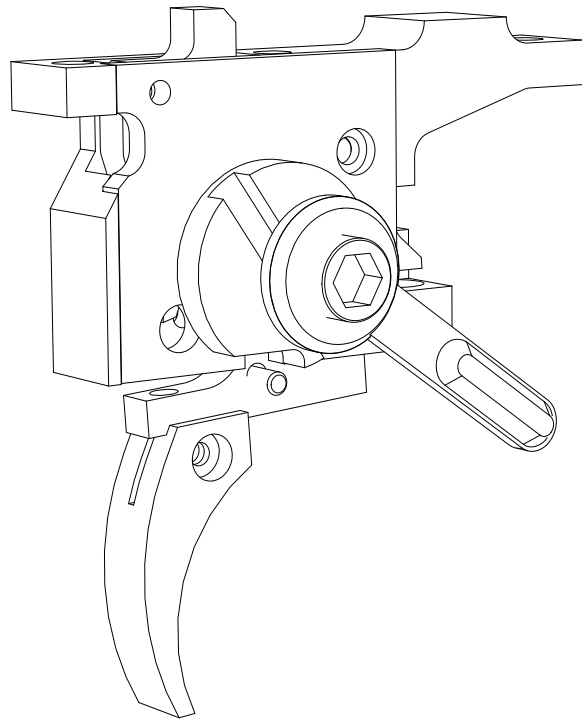
SAFETY OFF



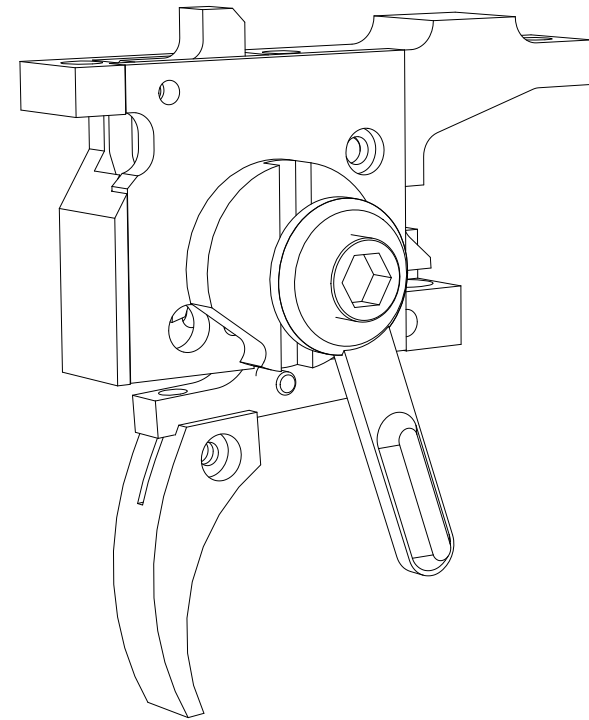
THE SAFETY ALSO ACTS AS A TRIGGER LOCK; THEREFORE, THE BOLT MUST BE IN A COCKED POSITION BEFORE APPLYING THE SAFETY.

APPLYING THE SAFETY AFTER THE WEAPON HAS BEEN FIRED AND BEFORE THE BOLT IS RE-COCKED MAY LOCK THE TRIGGER IN ITS FIRED STATE AND YOU WILL NOT BE ABLE TO LOAD THE FIRING PIN ON NEXT USE.

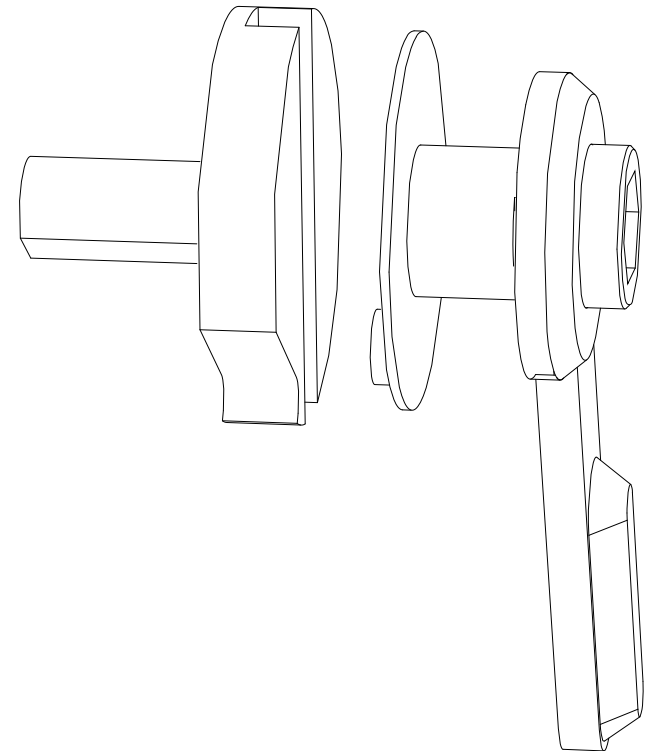
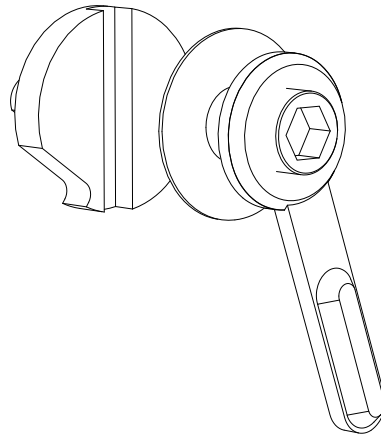
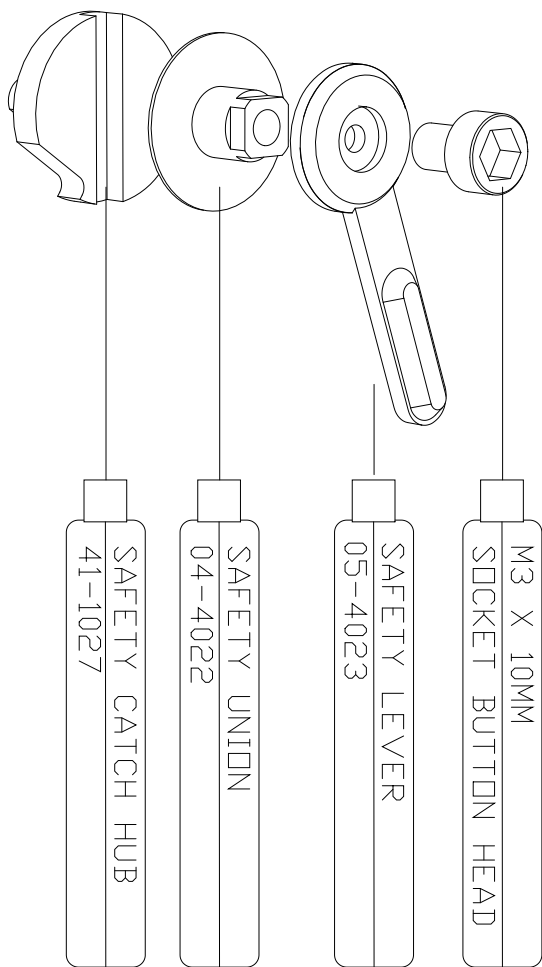
THIS MAY ALSO CAUSE DAMAGE TO THE TRIGGER!!



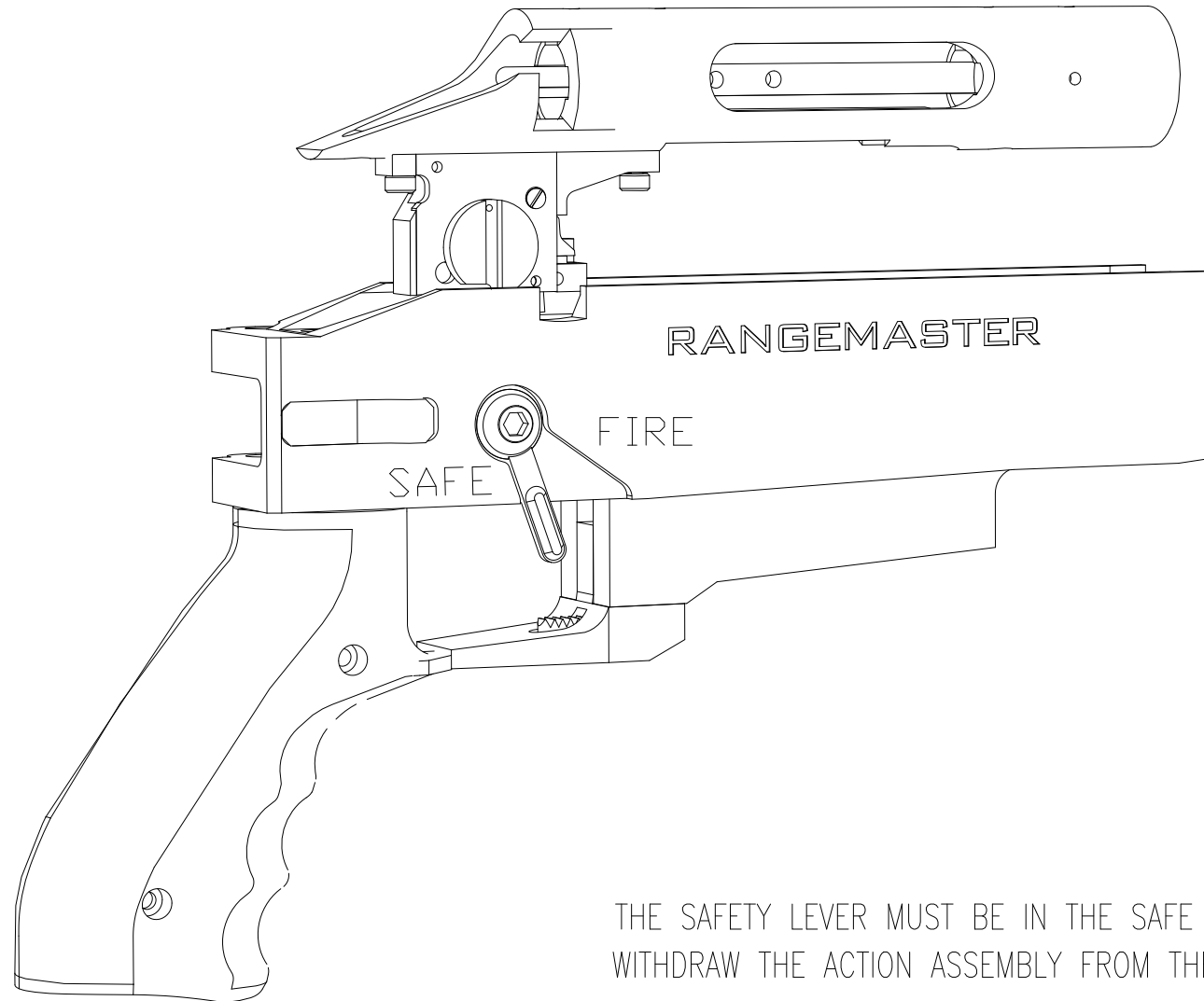
SAFETY OFF



SAFETY ON



RELATIONSHIP BETWEEN SAFETY LEVER  
AND UNION TO TRIGGER SAFETY HUB



THE SAFETY LEVER MUST BE IN THE SAFE POSITION BEFORE YOU CAN WITHDRAW THE ACTION ASSEMBLY FROM THE CHASSIS